

DIMENSIONS & WEIGHT FOR BOTH CARS

Overall Length	412"	(10.47 m)
Overall Width	100"	(2.54 m) without mirrors
Overall Height	108"	(2.74 m)
Ground Clearance	22"	(55.9 cm)
Curb Weight	30,000 lbs	(13,608 kg) without options
Payload	25,000 lbs	(11,340 kg) combined
GVWR	55,000 lbs	(24,948 kg)

DIMENSIONS & WEIGHT FOR FRONT CAR

Overall Length	189"	(4.80 m)
Overall Width	100"	(2.54 m) without mirrors
Overall Height	108"	(2.74 m)
Deck Area & Dimensions	54 ft ² (101" x 76")	5.02 m ² (2.56m x 1.93m)
Ground Clearance	22"	(55.9 cm)
Curb Weight	20,000 lbs	(9,072 kg)
Payload	5,000 lbs	(2,268 kg) with 4 man cab
GVWR	25,000 lbs	(11,340 kg)

DIMENSIONS & WEIGHT FOR REAR CAR

Overall Length	170"	(4.31 m)
Overall Width	97"	(2.46 m)
Deck Height	43"	(109.2 cm)
Deck Area & Dimensions	120 ft ² (100" x 170")	11.15 m ² (2.54 m x 4.32 m)
Frame Height	39"	(99.1 cm)
Ground Clearance	22"	(50.8 cm)
Curb Weight	10,000 lbs	(4,535 kg) without flatbed deck or dump box
Payload	20,000 lbs	(9,072 kg) without flatbed deck or dump box
GVWR	30,000 lbs	(13,607 kg)

PERFORMANCE

Maximum Speed	20 mph	(32.2 km/h)
Ground Pressure	at 6" penetration	
Unloaded	2.8 PSI	(19.3 kPa)
Loaded to the max	5.1 PSI	(35.16 kPa)
Maximum Gradeability (static test with maximum load)		
Up Hill	35°	(70%)
Side Hill	20°	(36%)
Turning Radius	21' to centerline, (17' with steering assist)	
Fording Depth	57"	

FRONT CAR (Standard Equipment)

- 4-man closed cab with Roll Over Protection Structure
- L/R windshield wipers & washers
- Recirculation fan, air conditioning and heater/defroster
- Driver's air suspension seat with 3-point seatbelt
- 3x passenger spring suspension seats with 2-point seatbelts
- Dual escape hatches
- Dual side entrance steps
- Side opening windows
- Dual exterior mirrors
- Rear view camera
- Center console with storage
- High/low beam front LED Lights
- Full DOT road lighting (position, turn, stop, tail)
- AM/FM radio with two speakers
- Dual USB power outlets
- 1 dome light
- In-cab touch screen display for vehicle status & statistics
- Tilt steering wheel
- F/N/R selector
- Dual circuit hydraulic wet brakes with accumulator reserves (regenerative braking above 3 mph)
- 120v block heater
- 12vdc heated fuel filler
- 2 S.A.H.R. (Spring Applied Hydraulic Release) parking brakes in each axle
- Manual parking brake release
- Rear deck
- Rear mudflaps
- Deck access steps

REAR CAR (Standard Equipment)

- Frame only with pin-on brackets and shipping cover
- Pintle hook receiver
- Stop/tail/turn lights

ENGINE & DRIVE TRAIN

Make	Cummins
Model	QSB 6.7 Tier 4 Final
Type	Turbocharged diesel
Displacement	6.7 L (408.86 cu. in.)
Injection System	Direct
Peak Power	250 HP (186.5 kW) at 2,000 rpm
Torque	850 lb-ft (1,150 N-m) at 1,500 rpm
Battery Type	LTO (Lithium Titanate Oxide)
Traction Battery Pack	24 kWh / 650v
Generator / Drive Motors	3
Peak Power & Torque per Motor	254 HP (190 kW) & 1,735 lb-ft (2,360 N-m)

FRAME, SUSPENSION, WHEELS

Frame	Corten, welded tub
Suspension	Sprung walking beam with dual articulating bogie wheels
Wheels	16 front car + 16 rear car = 32 wheels (each wheel is double, 64 wheels total)
Size	12" steel with oil hub

TRACKS

Tracks	One-piece 24" (600 mm) rubber track with steel reinforcements
---------------	---

STANDARD HYDRAULIC SYSTEM

- Semi-synthetic hydraulic oil
- Return filter with in-cab service indicator
- Low level warning
- Low level shutdown
- High temperature warning
- Hydraulically damped center link with articulation control

FLUID CAPACITIES

	LITRES	U.S. GALLONS
Cooling System	15.2	4.0
Auxilliary Hydraulic Oil Tank	68	18.0
Fuel Tank	300	80.0
DEF Tank	10	2.6

ELECTRICAL

Voltage	12v
Battery Capacity at 0° F	2 x 1,060 CCA
Alternator Capacity	120 Amps
Ground	Negative

STANDARD EQUIPMENT

Air Cleaner - Type	Dry – two stages with air filter restriction gauge
HMI & Controls	Low service brake pressure warning Speedometer Fuel gauge Engine hour meter Battery status indicator (state of charge and charge/discharge rate) Low oil pressure warning / shutdown Low engine coolant level warning High engine coolant temperature warning Low traction coolant level warning High traction coolant level warning Air filter service warning Hydraulic oil filter service warning
Manuals	2x “Operations”, 2x “Parts & Service”

FRONT CAR & CAB OPTIONS

- Front bumper
- Medium duty front plow
- Front hydraulic winch (20,000 lbs)
- Front brush guard
- ROPS cab certification
- Intermittent windshield wipers
- Passenger seats air suspension
- Passenger seats 3-point seatbelts
- Dual sun visors
- Dual side mirrors, heated
- Dual side mirrors, power adjust, heated
- Premium cab sound and heat insulation
- GPS
- Radio with speakers
- Pressurized cab
- Escape hatch with adjustable angle
- Tinted glass
- Jib boom crane
- Outriggers for crane
- 150 gal diesel fuel tank with 12v hand pump 15 gpm
- Bulk liquid tank
- Stake side rear deck
- Auxiliary power inverter – 3 phase 20 kW for welding with 110v and 220v plug-ins
- Auxiliary power inverter – 3 phase / 60 hz / 600v / 60 kW output depending on conditions

ENGINE & COLD WEATHER OPTIONS

- 12v engine coolant heater (42,000 BTU with 7 day timer)
- Winter cover
- Synthetic engine oil
- 2x 120v battery heaters
- **Extreme cold start** package - Ambient Temp **-40°F / -40°C External Power Available** includes: 120v battery blanket heaters, insulated battery box, winter cover, glycol coolant, synthetic engine oil.
- **Extreme cold start** package - Ambient Temp **-40°F / -40°C No External Power Available** includes: 12v engine coolant heater, coolant battery heater, insulated battery box, winter cover, glycol coolant, synthetic engine oil

LIGHTING OPTIONS

- Amber beacon
- Front 86w LED light bar
- Dual 80w LED work lights
- Remote control spotlight

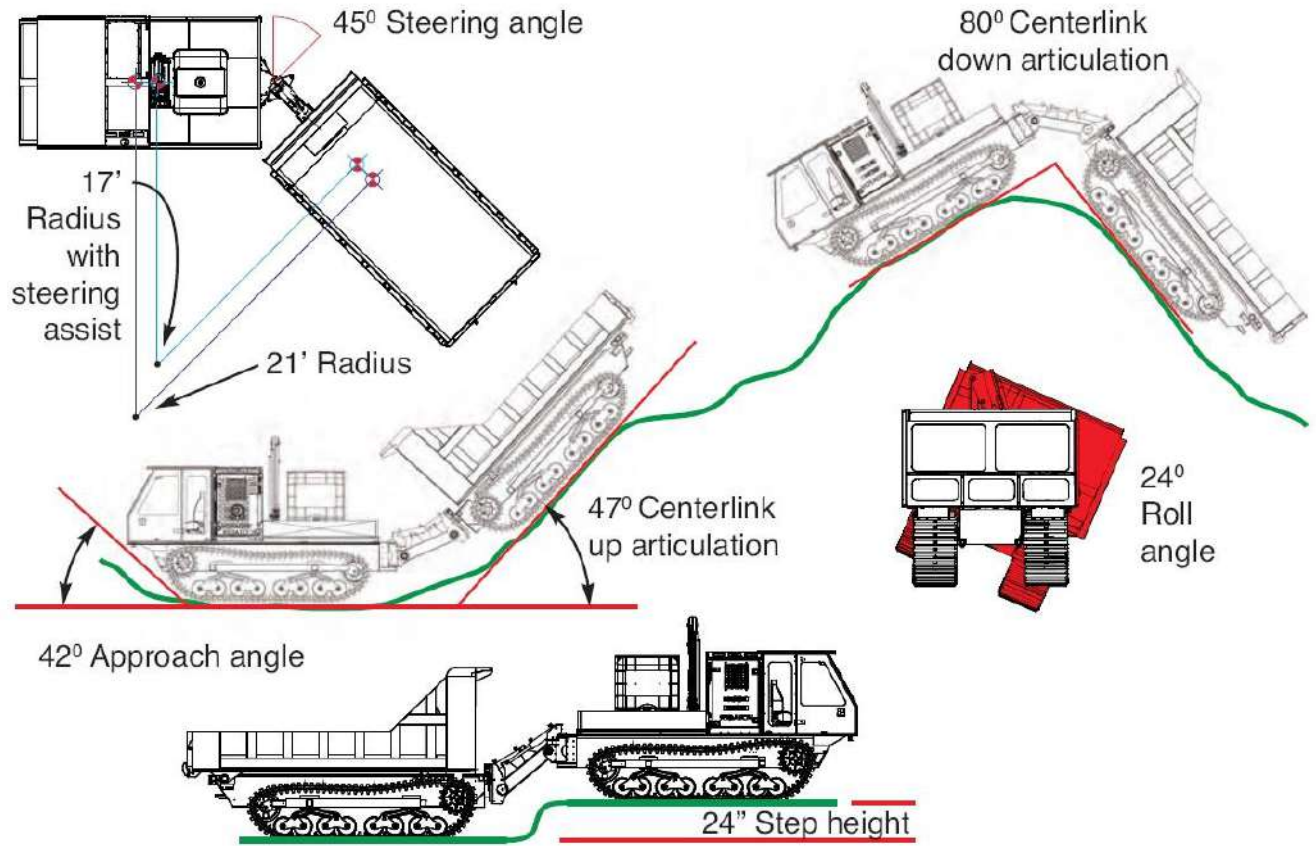
REAR CAR OPTIONS

- Flatbed deck with access ladder
- Stake side flatbed deck
- Removable wood sides for flatbed deck
- Flatbed deck, droppable
- Dump box (rock box) 8 yd³ (6 m³) 11,000 lbs (5,000 kg) max capacity
- Personnel carrier, droppable, self contained (12x fold up seats, 8x windows, 2x escape hatches, 1x rear door, diesel heating and battery powered air conditioning
- Personnel carrier premium insulation for operations to -40 deg C / -40 deg F
- Auxiliary hydraulic system (up to 25 gpm at 3,000 psi)
- Hose reel with hydraulic tools outlet
- DC auxiliary power outlet
- Deck crane
- Outrigger & subframe for crane
- Tank for liquid transport
- Hook loader
- Rear hydraulic winch (20,000 lbs)
- Pintle hook
- Pintle hook with trailer wiring (14,000 lbs towing capacity)

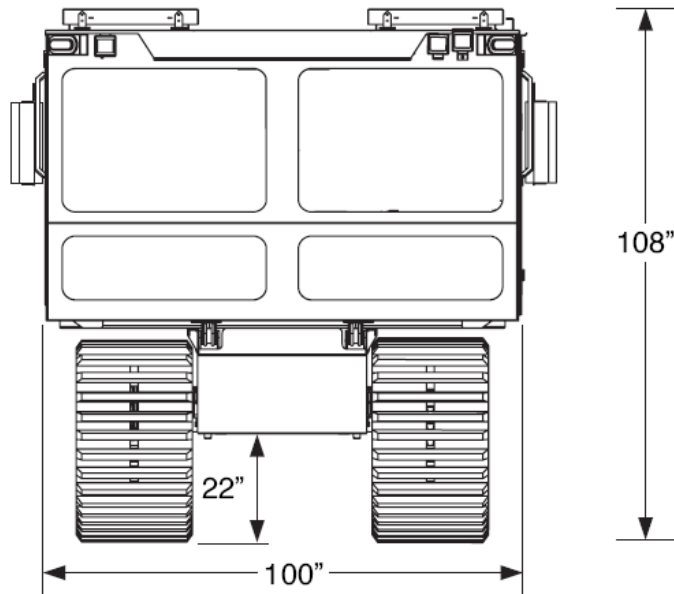
MISCELLANEOUS OPTIONS

- Maintenance kit
- Recommended spare parts for remote operations
- Other options available upon request

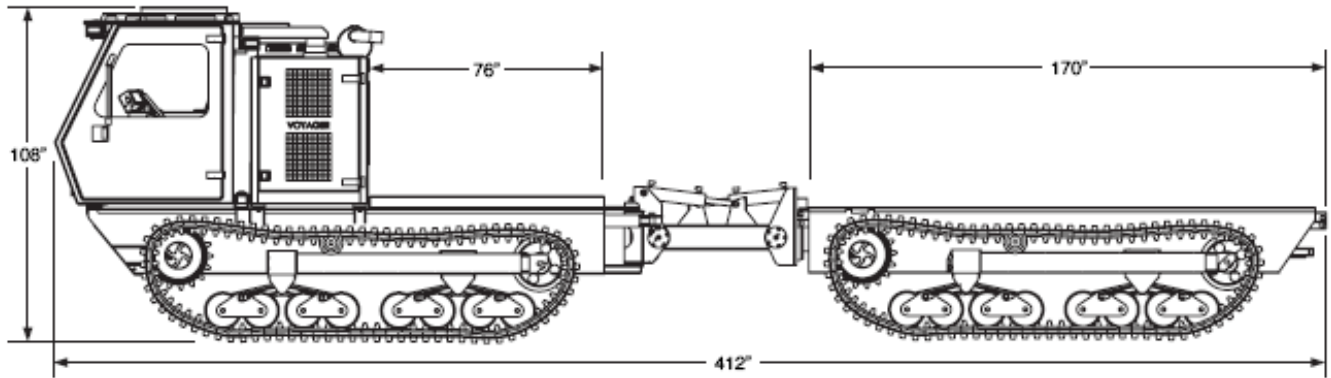
Voyager 12T Four Track Articulated Carrier - Performance



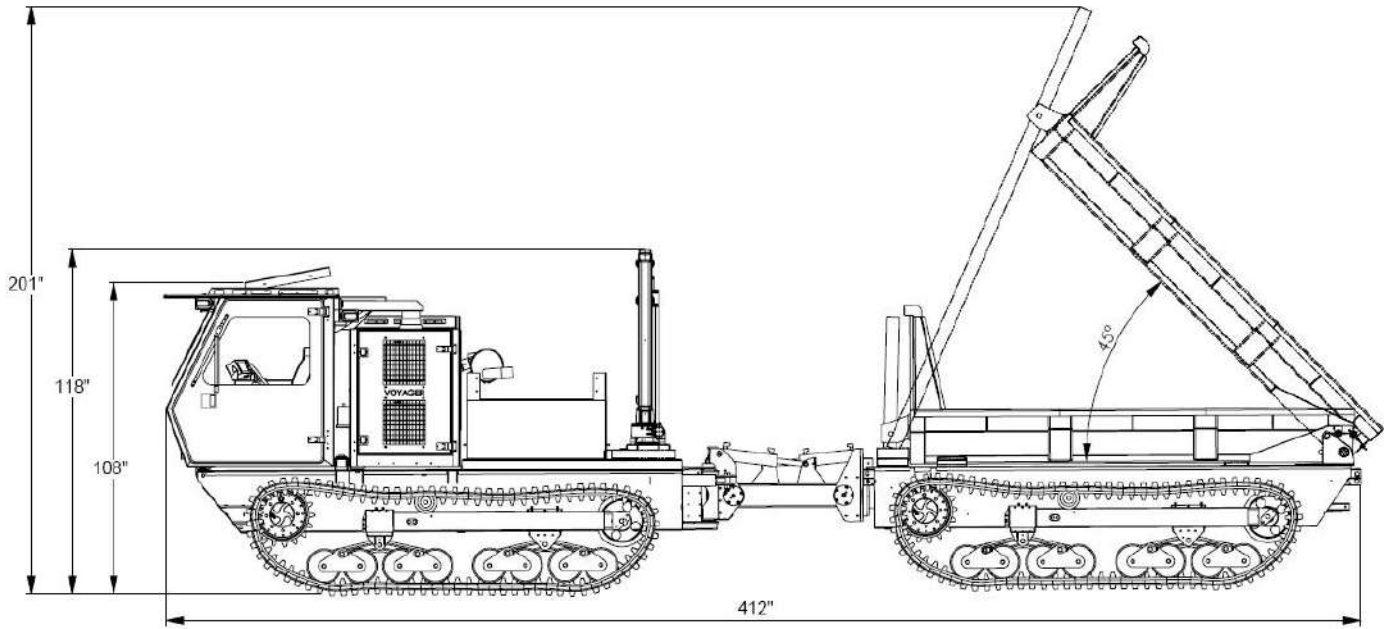
Voyager 12T Four Track Articulated Carrier - Dimensions



Voyager 12T Four Track Articulated Carrier - Dimensions



Voyager 12T Four Track Articulated Carrier - Dimensions



Optional Voyager 12T 12-Man Cab Rear Car (droppable)

Comes with: 12x fold up seats, 8x windows, 2x escape hatches, 1x rear door, diesel fired heating, battery power air conditioning , auxiliary diesel fuel tank, premium insulation for operations to -40 deg C / -40 deg F.

